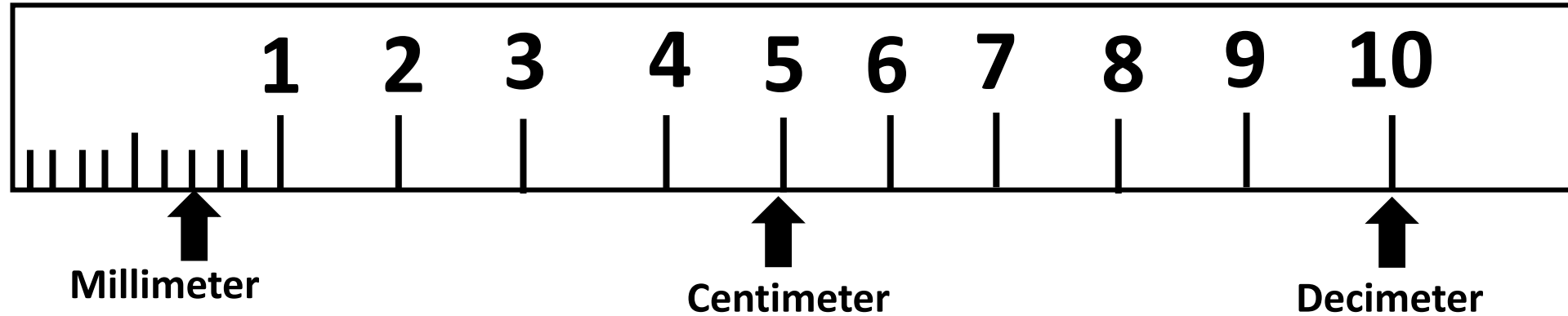


Notes for Metric Measurements

- **Meter Stick**

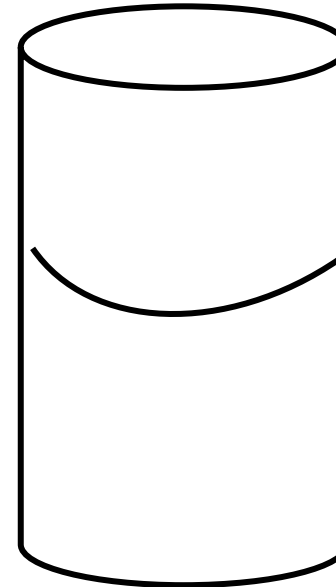
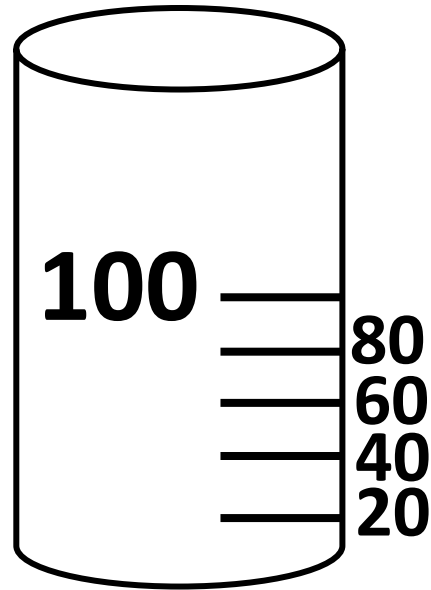


- **Volume**

- **Length X Width X Height (Unit is always cubed)**

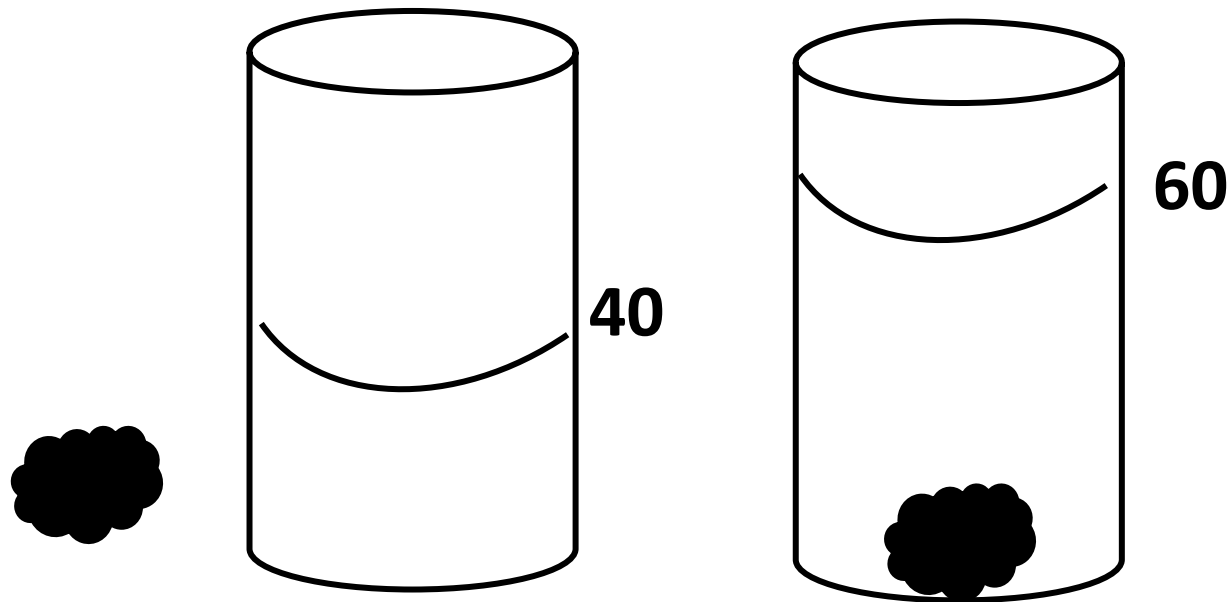
- **Liquid Volume**

- **Always read the volume from under the meniscus**
- **Markings indicate millimeters**



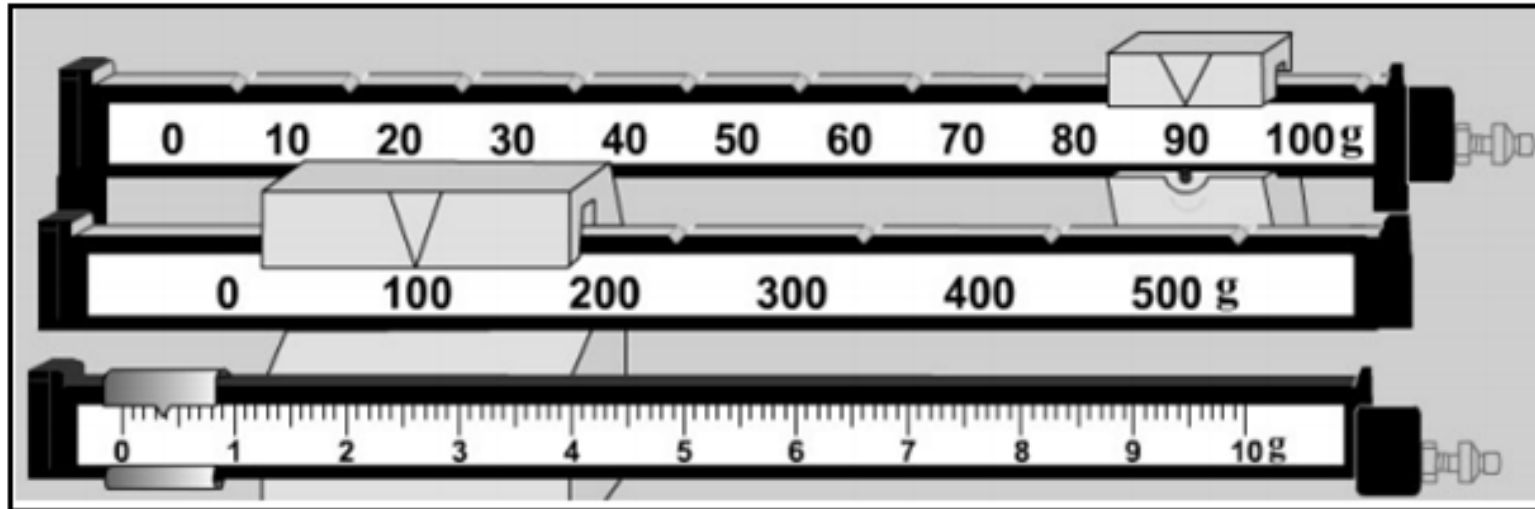
Meniscus

- **Water Displacement Method**
 - Read initial water volume
 - Place object in water
 - Read final water volume
 - Subtract initial volume from final volume



$$60 - 40 = 20 \text{ mL}$$

- **Mass**
 - Numbers indicate grams (g)
 - Hashmarks on smallest beam indicate decigrams and the numbers are placed after the decimal.



190.4 g